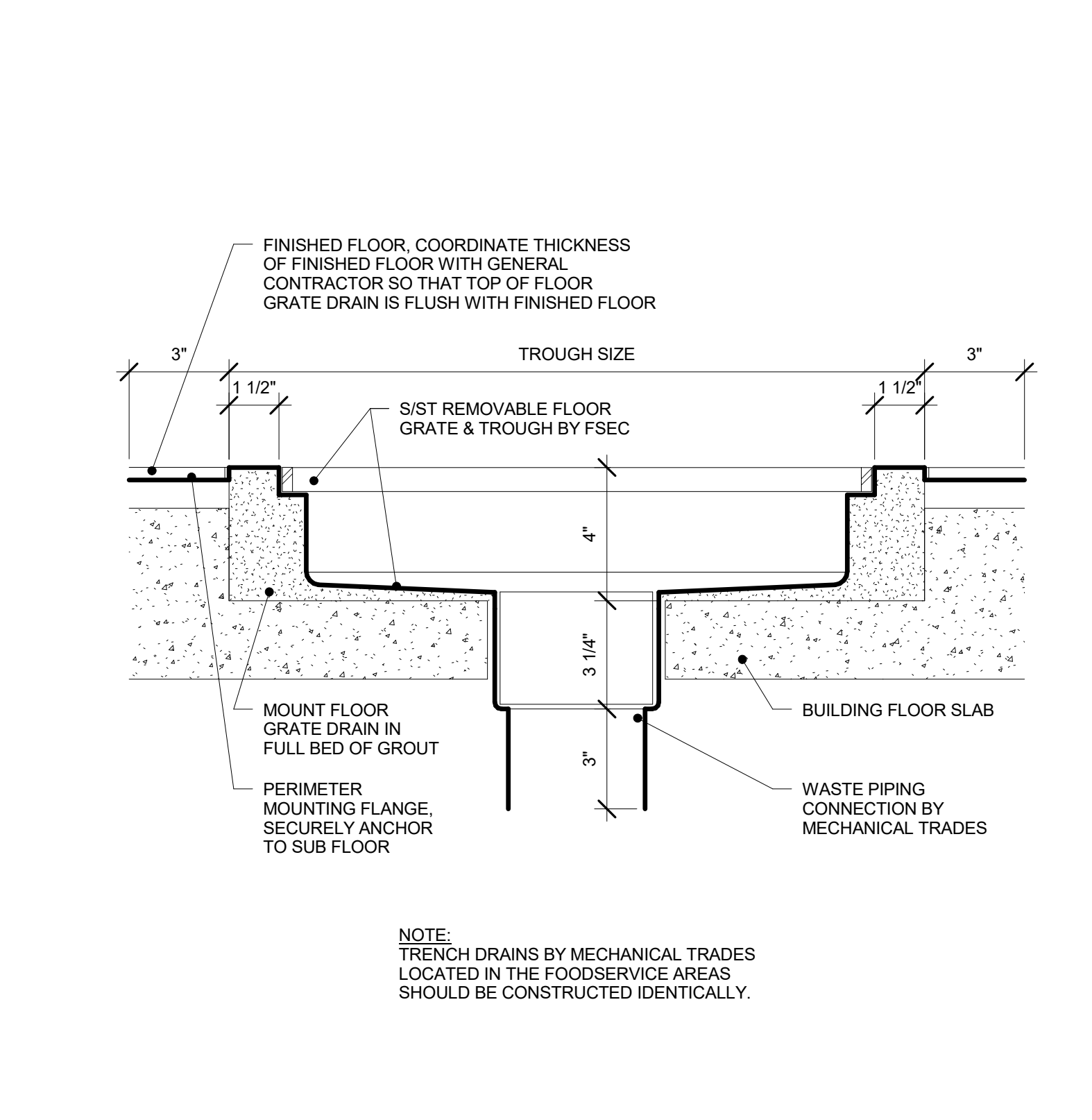
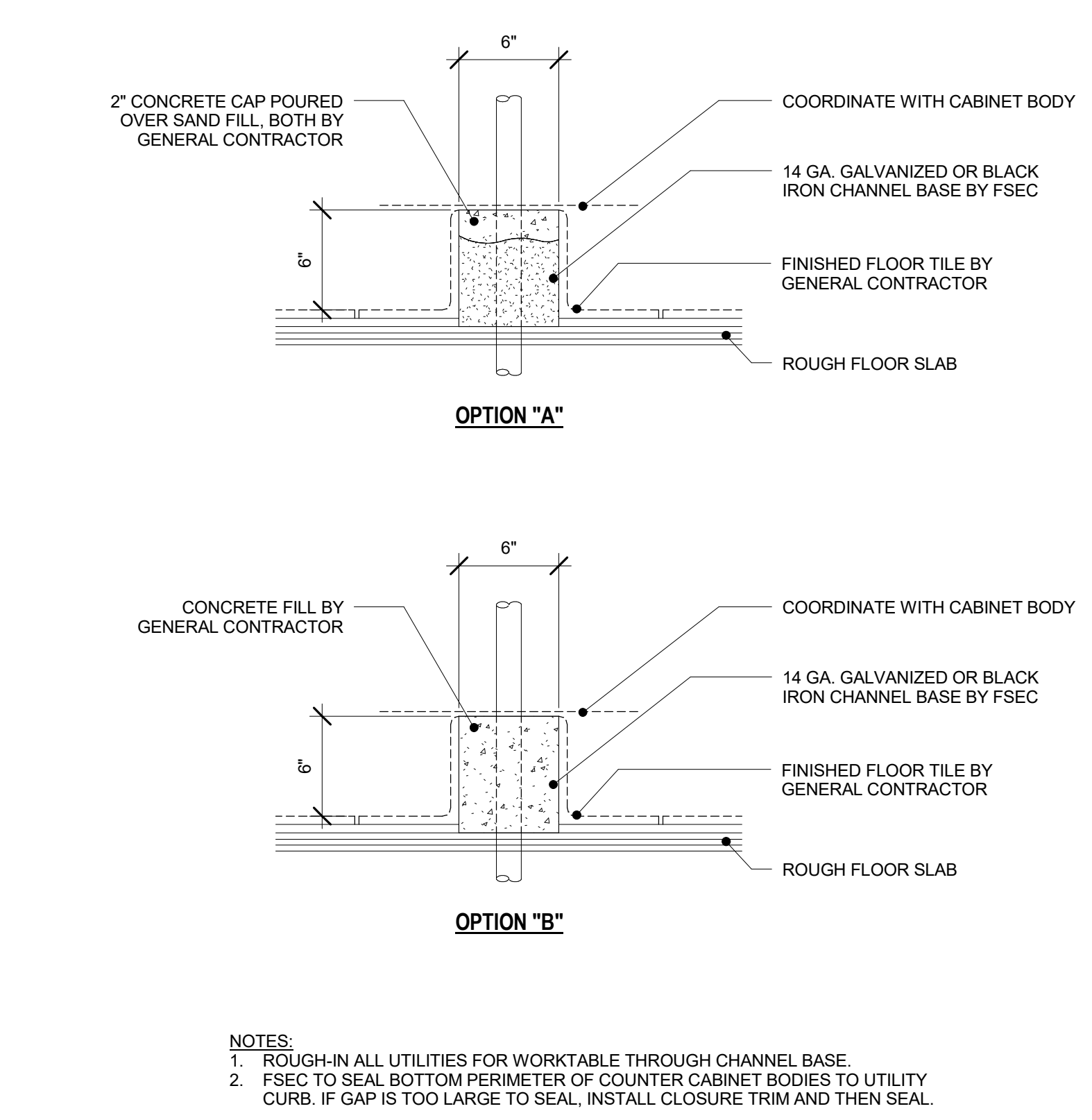
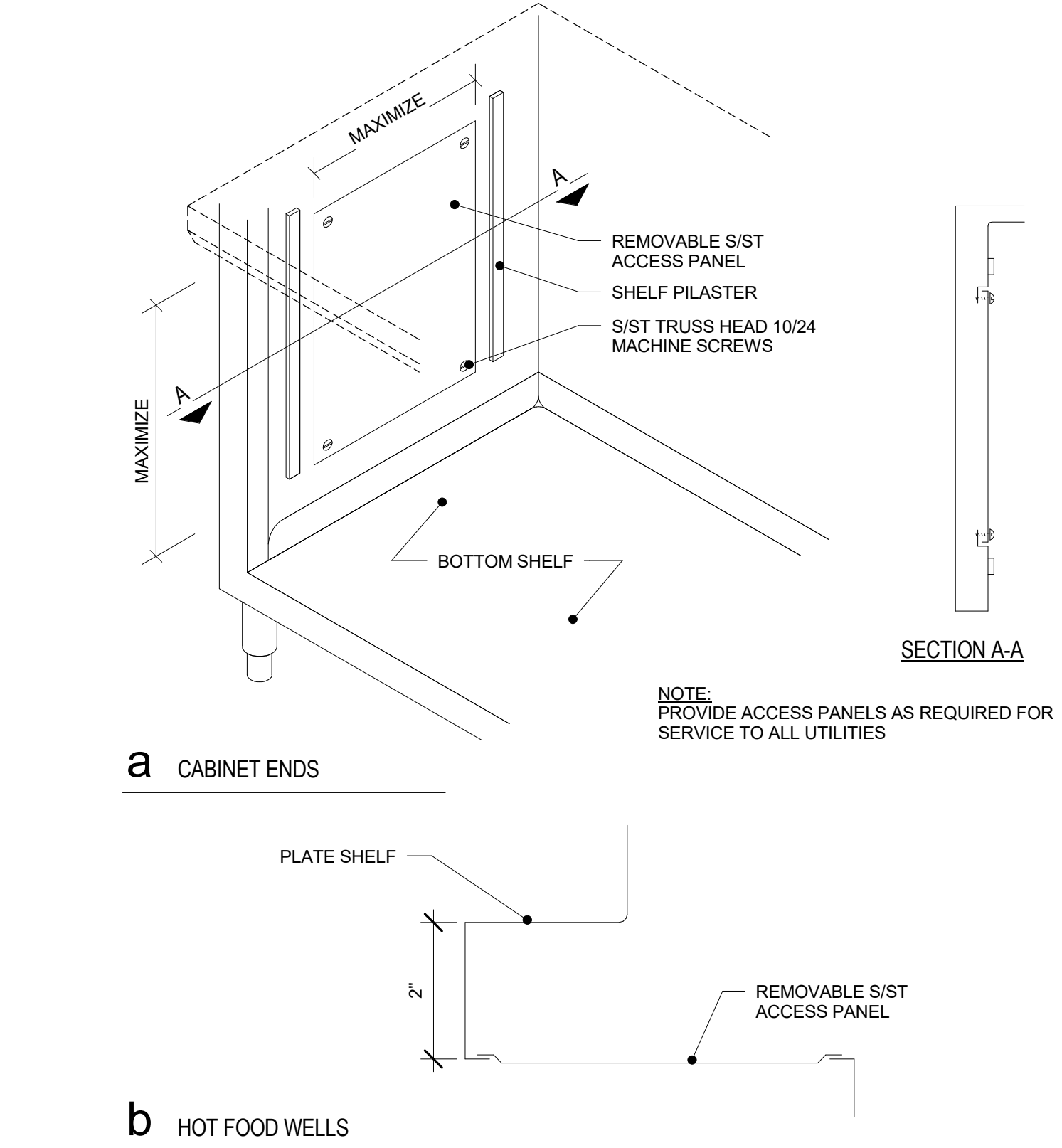
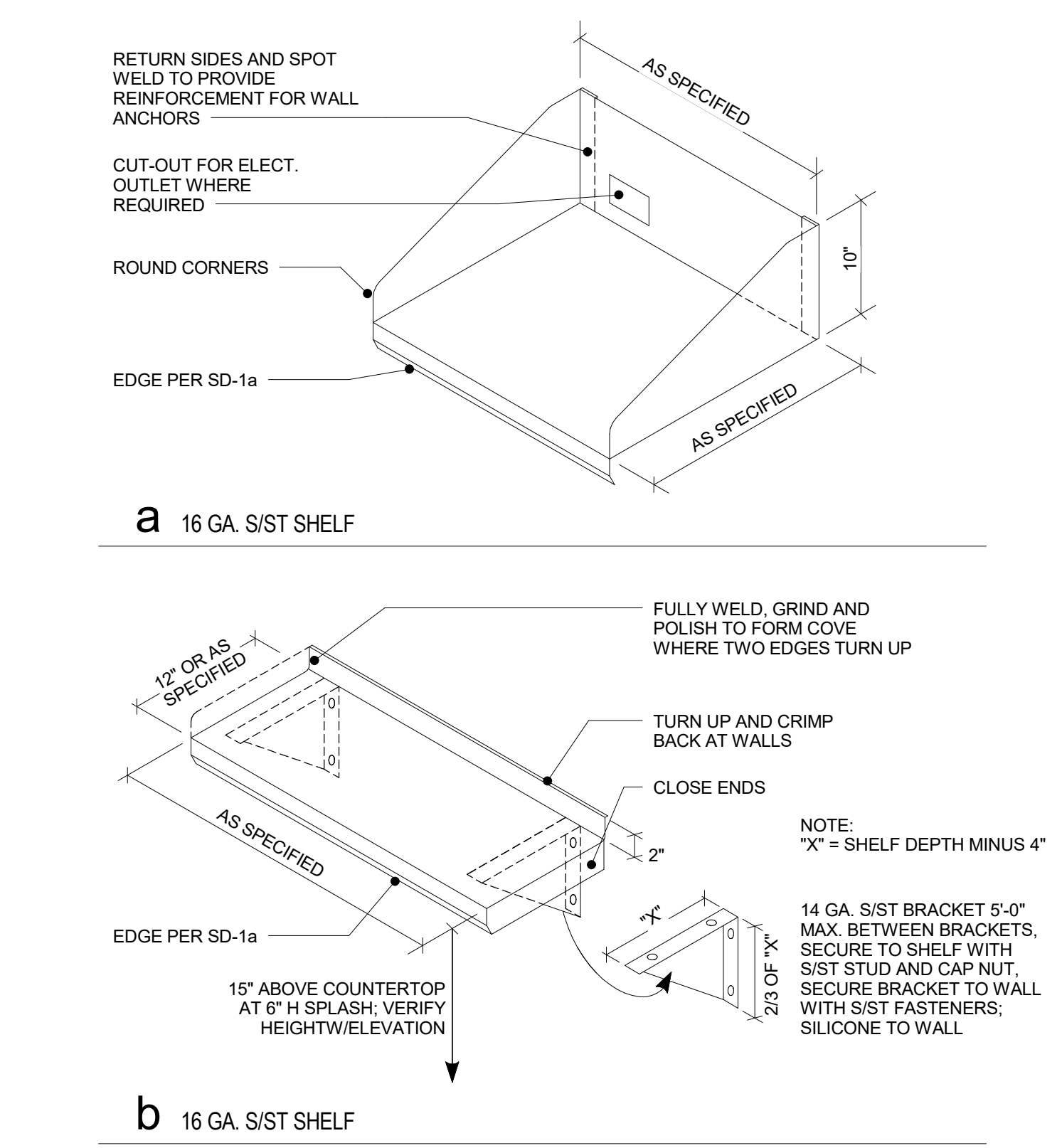


SD-19 HINGED LOUVERED DOOR - INTEGRAL PULL

SD-22 TABLE MOUNTED SHELVES

SD-24 SHELF UPRIGHTS

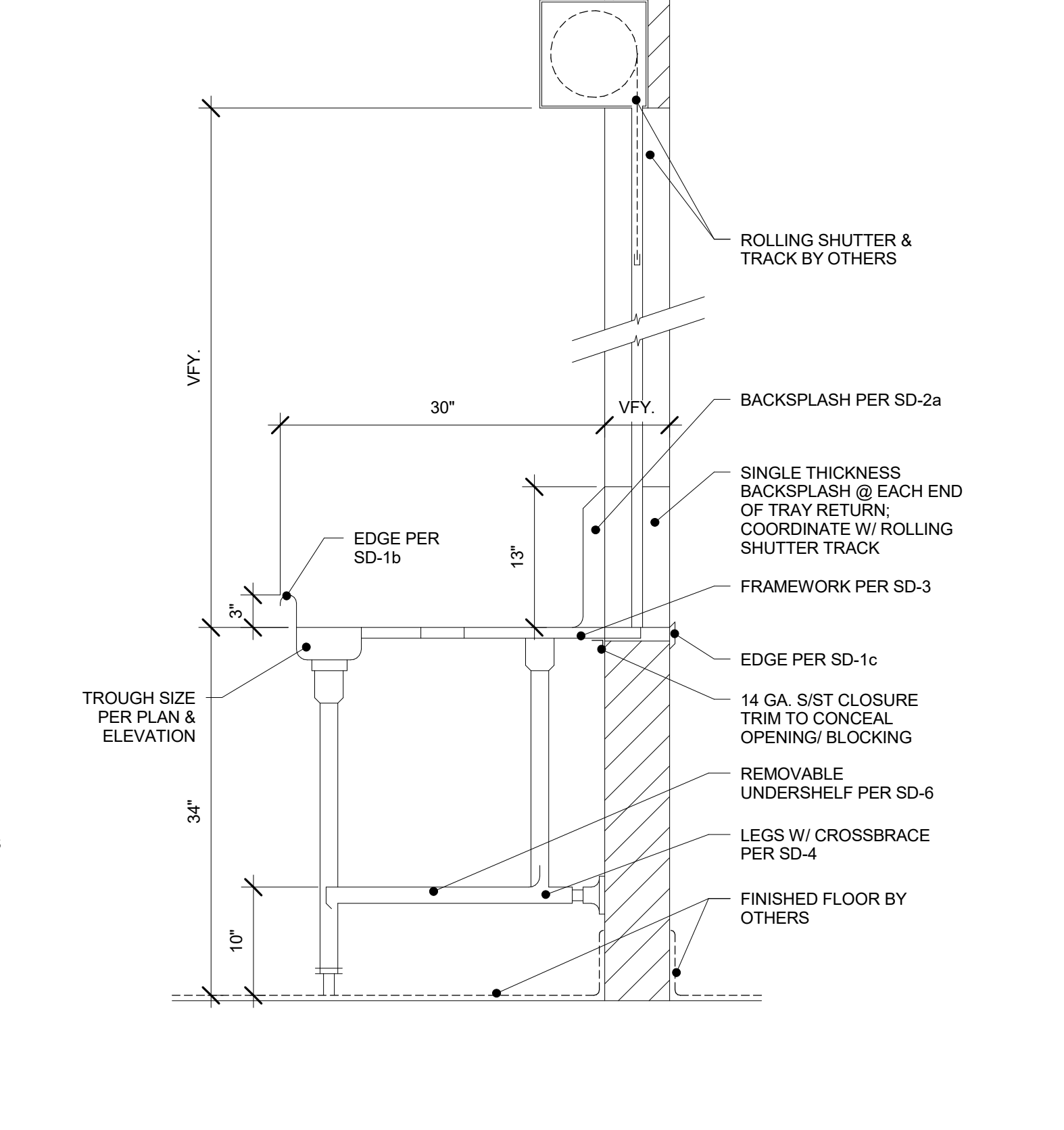
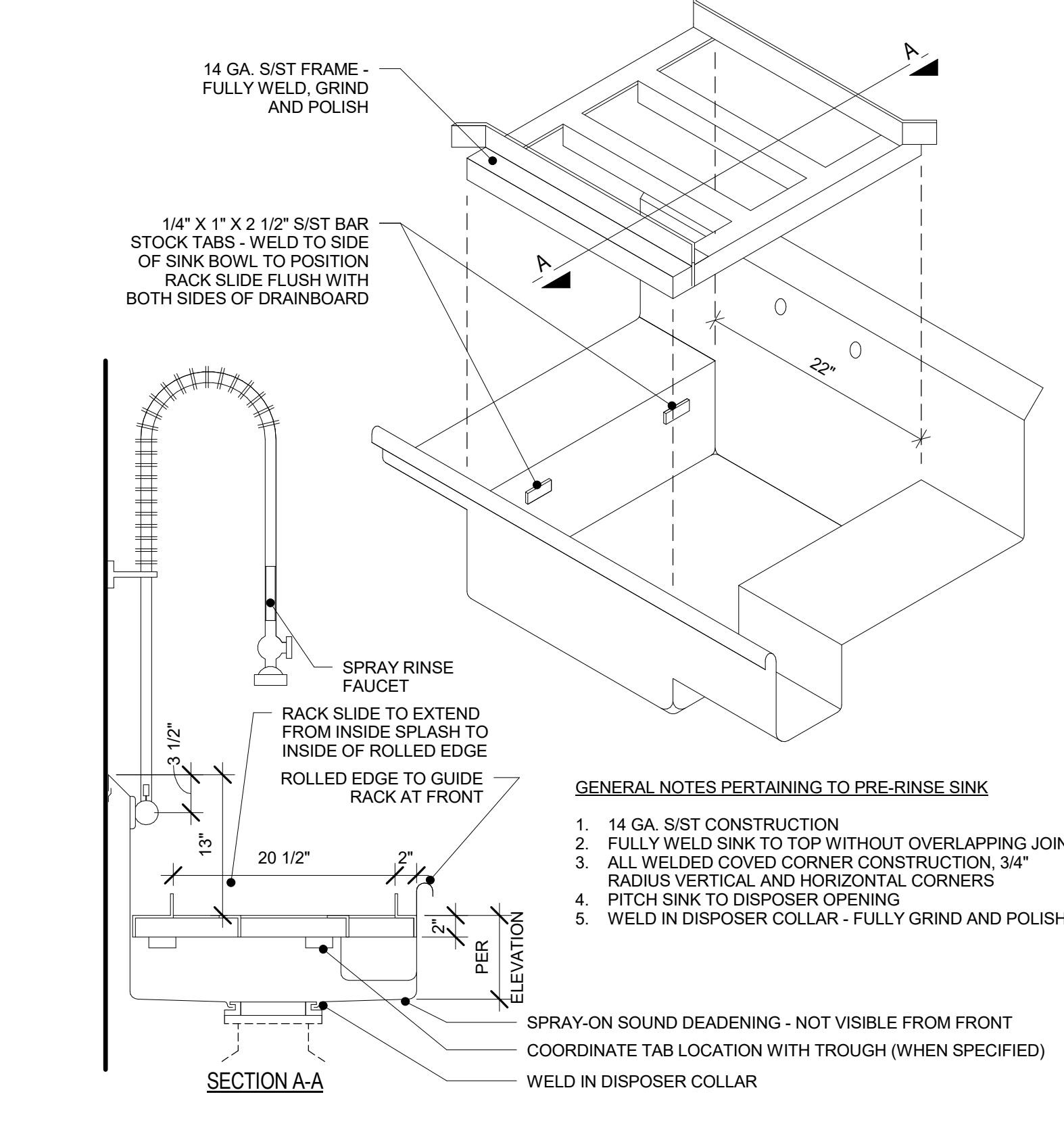
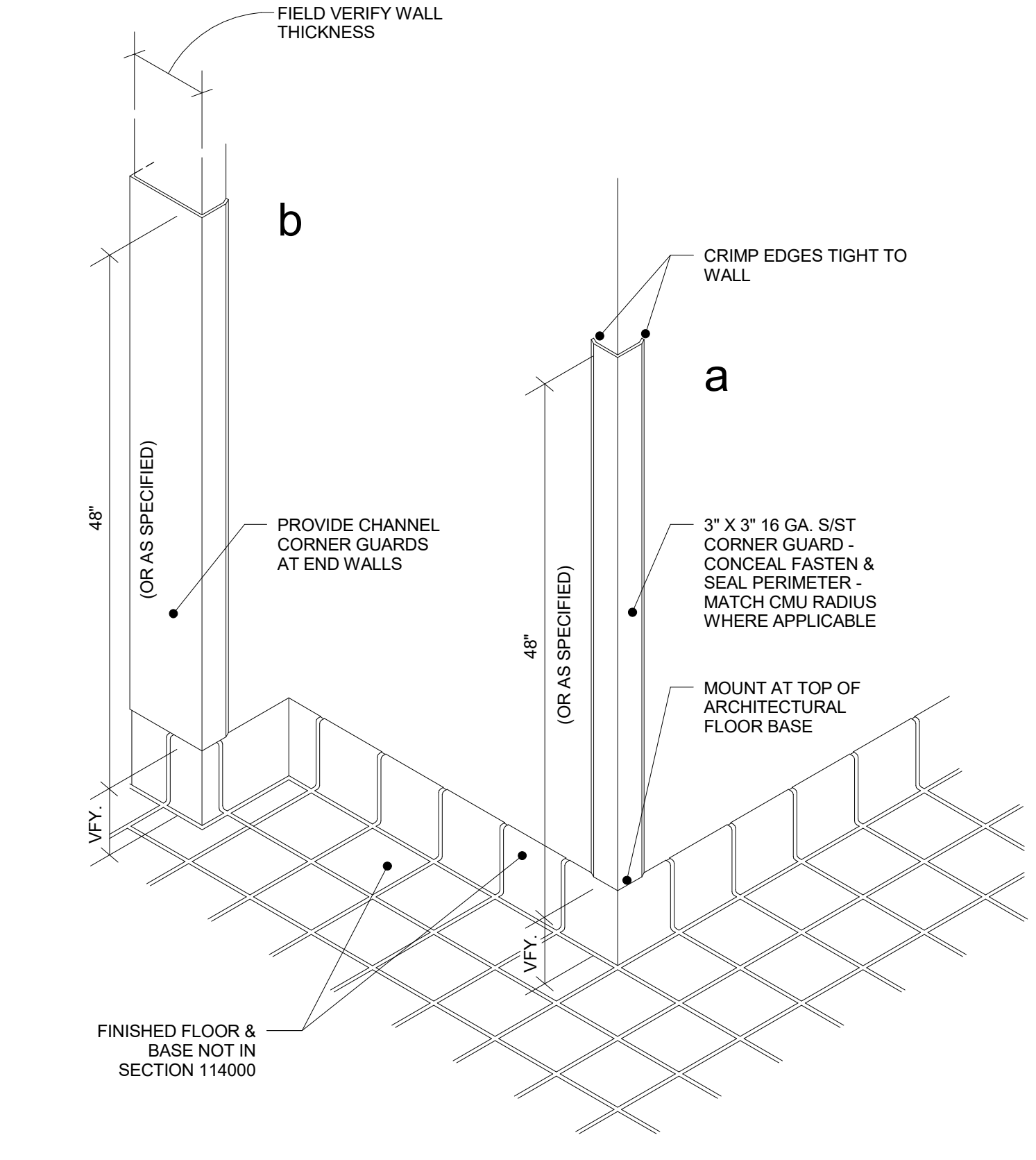
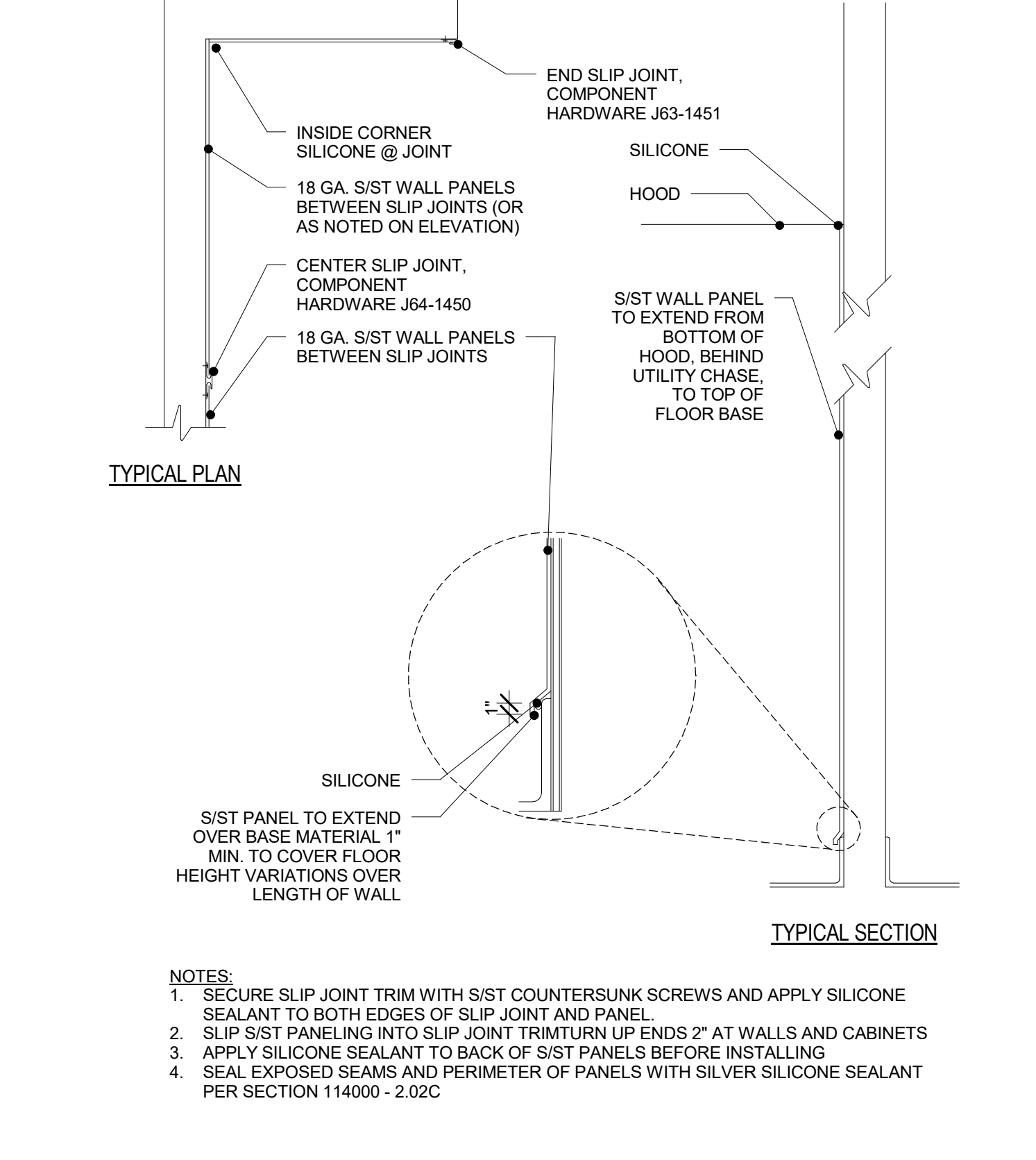


SD-25 WALL SHELVES

SD-29 ACCESS PANEL

SD-30 UTILITY CURB

SD-36 FLOOR TROUGH



SD-38 STAINLESS STEEL WALL PANEL

SD-39 STAINLESS STEEL CORNER GUARD

SD-41 PRE-RINSE SINK W/ RACK SLIDE

SD-65 SECTION @ TRAY RETURN - SCHOOL