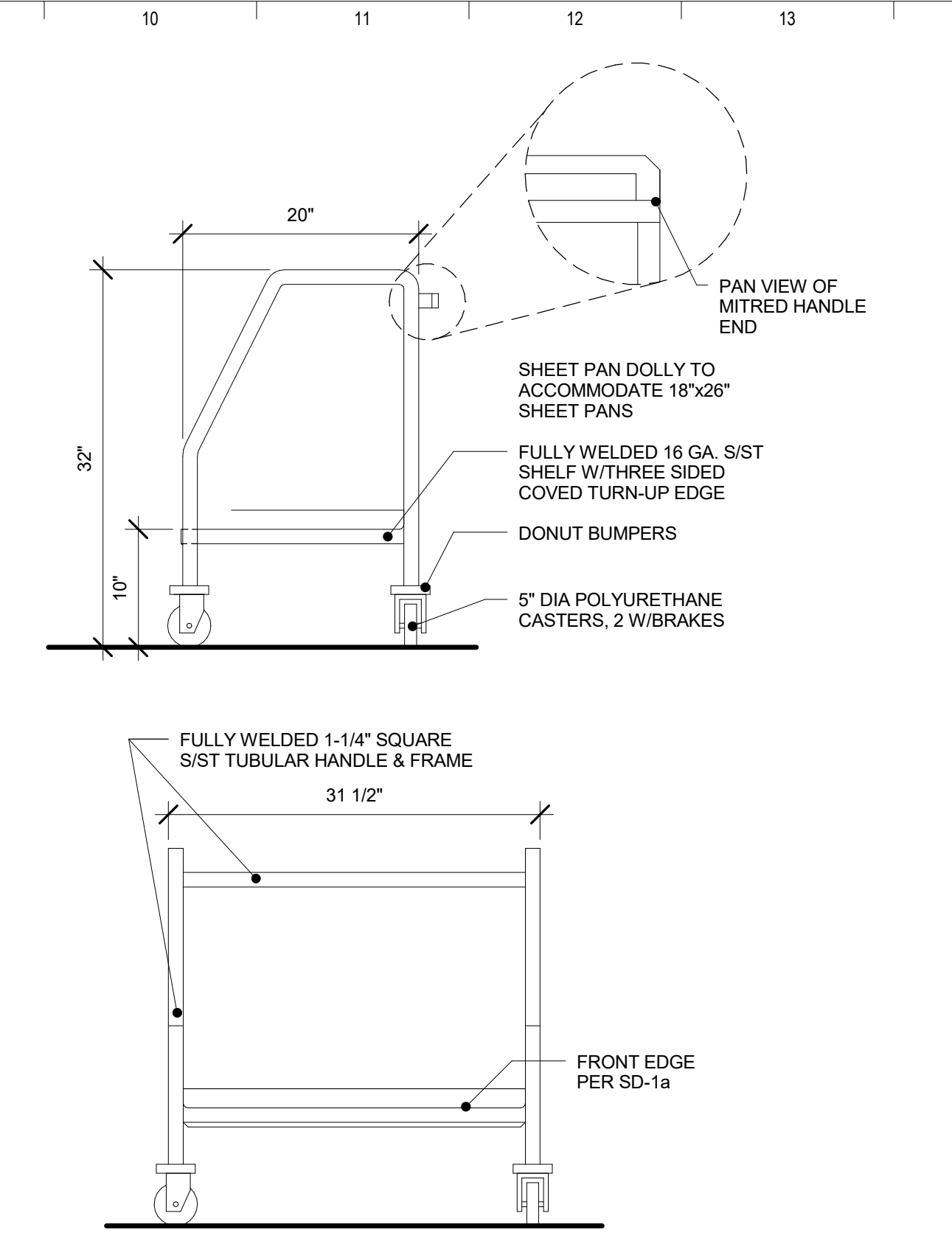
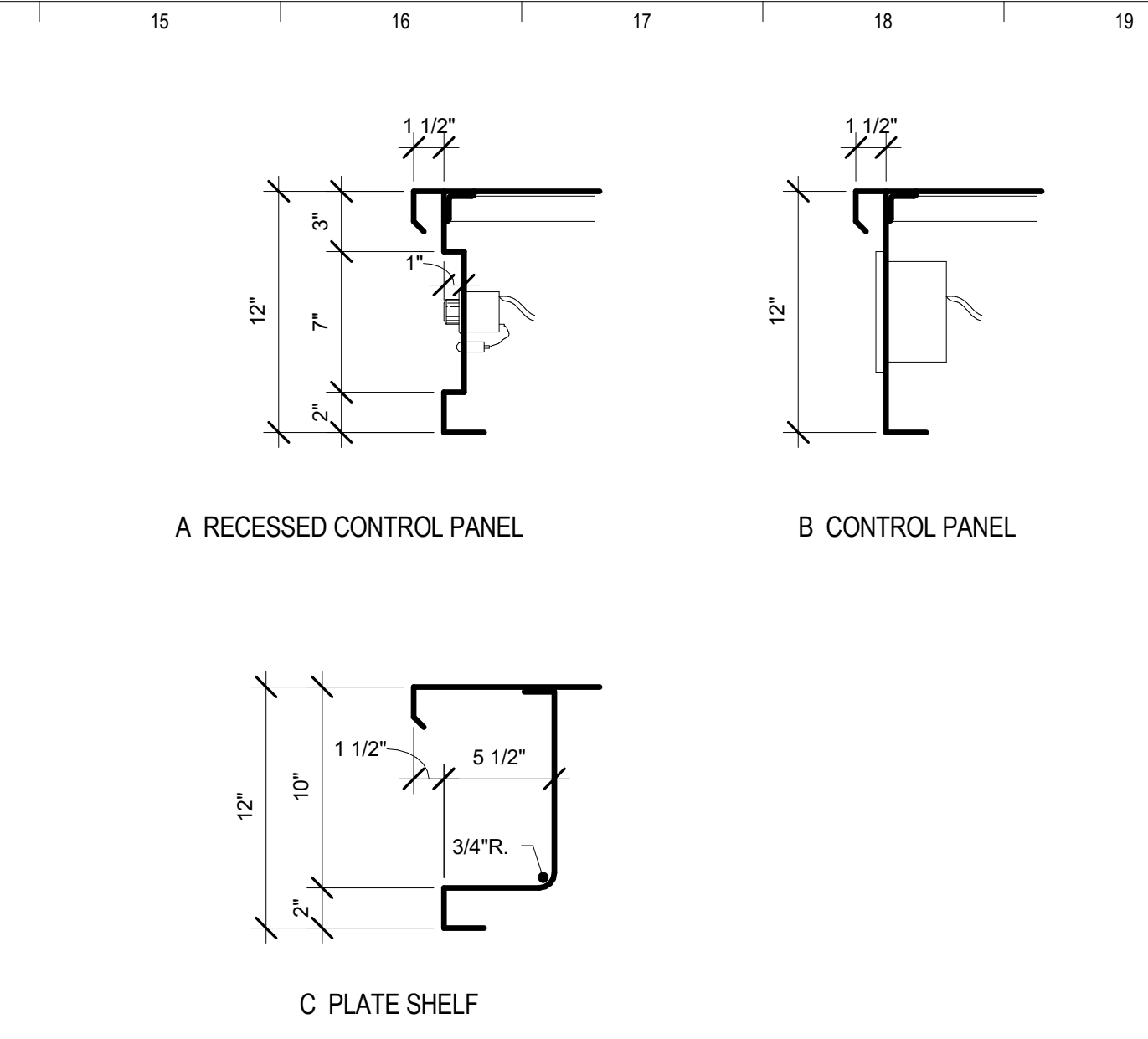


SD-68 CART WASH S/S/T WALL PANEL



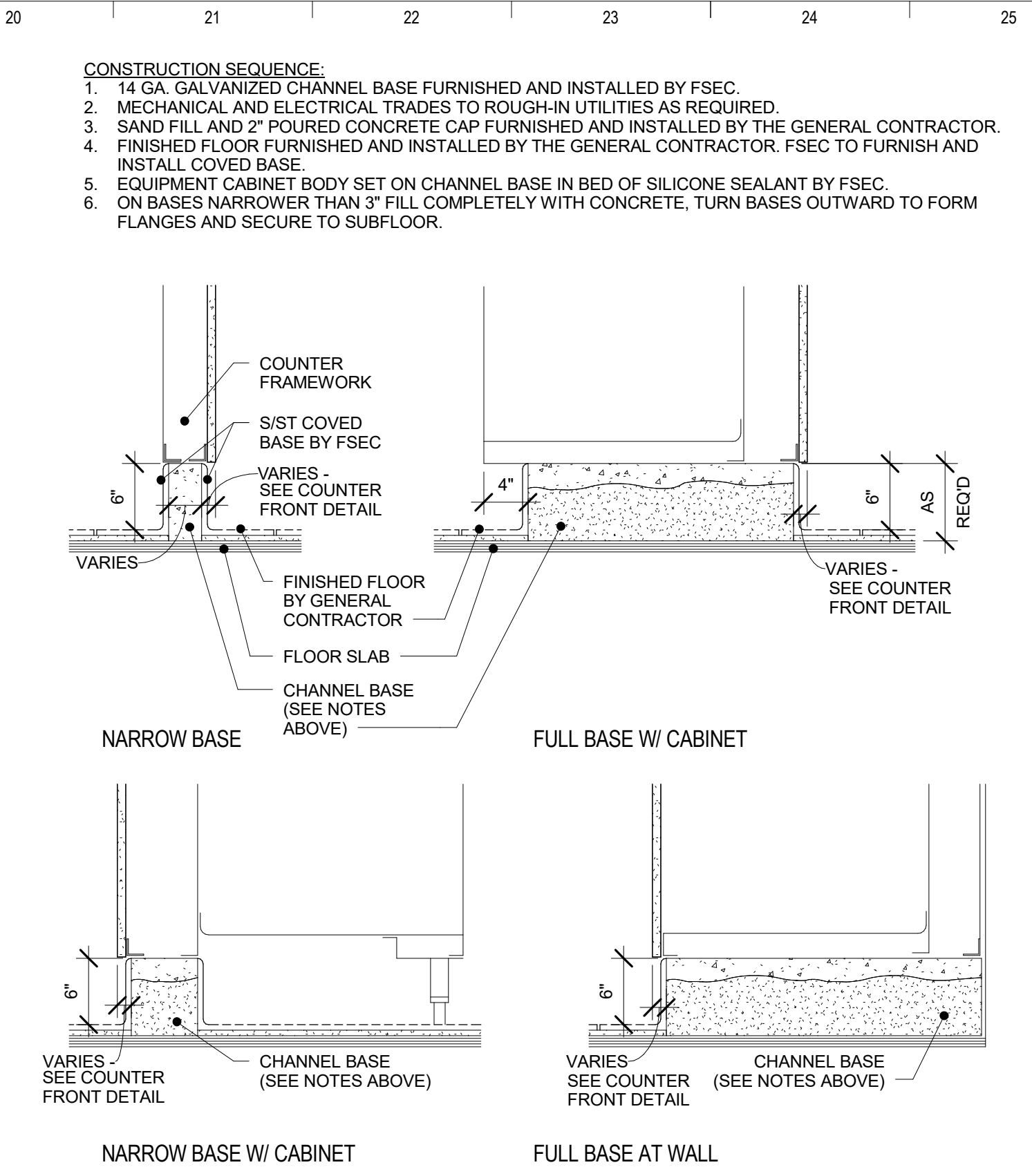
SD-70 SHEET PAN DOLLY



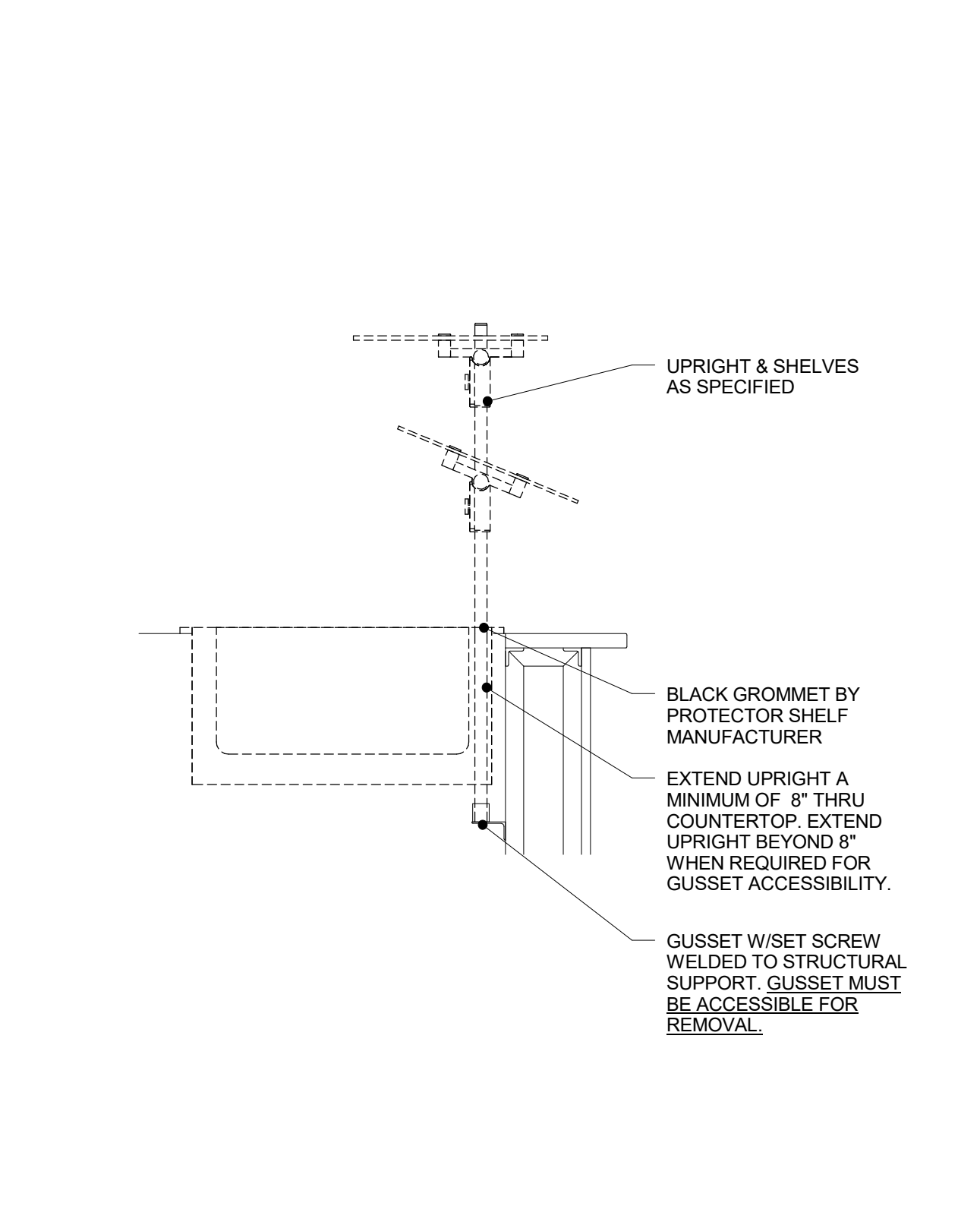
**GENERAL NOTES:**

- LENGTH OF RECESS TO ACCOMMODATE REQUIRED CONTROLS
- MOUNT THERMOSTATIC CONTROLS AND/OR SWITCHES IN PANEL AS PER MFG'S RECOMMENDATION. COUNTERSINK S/S/T SHEET METAL. SCREWS TO SECURE CONTROL PLATES WHERE APPLICABLE
- MOUNT PILOT LIGHTS IN A READILY VISIBLE LOCATION CLOSE TO THE CONTROL KNOB

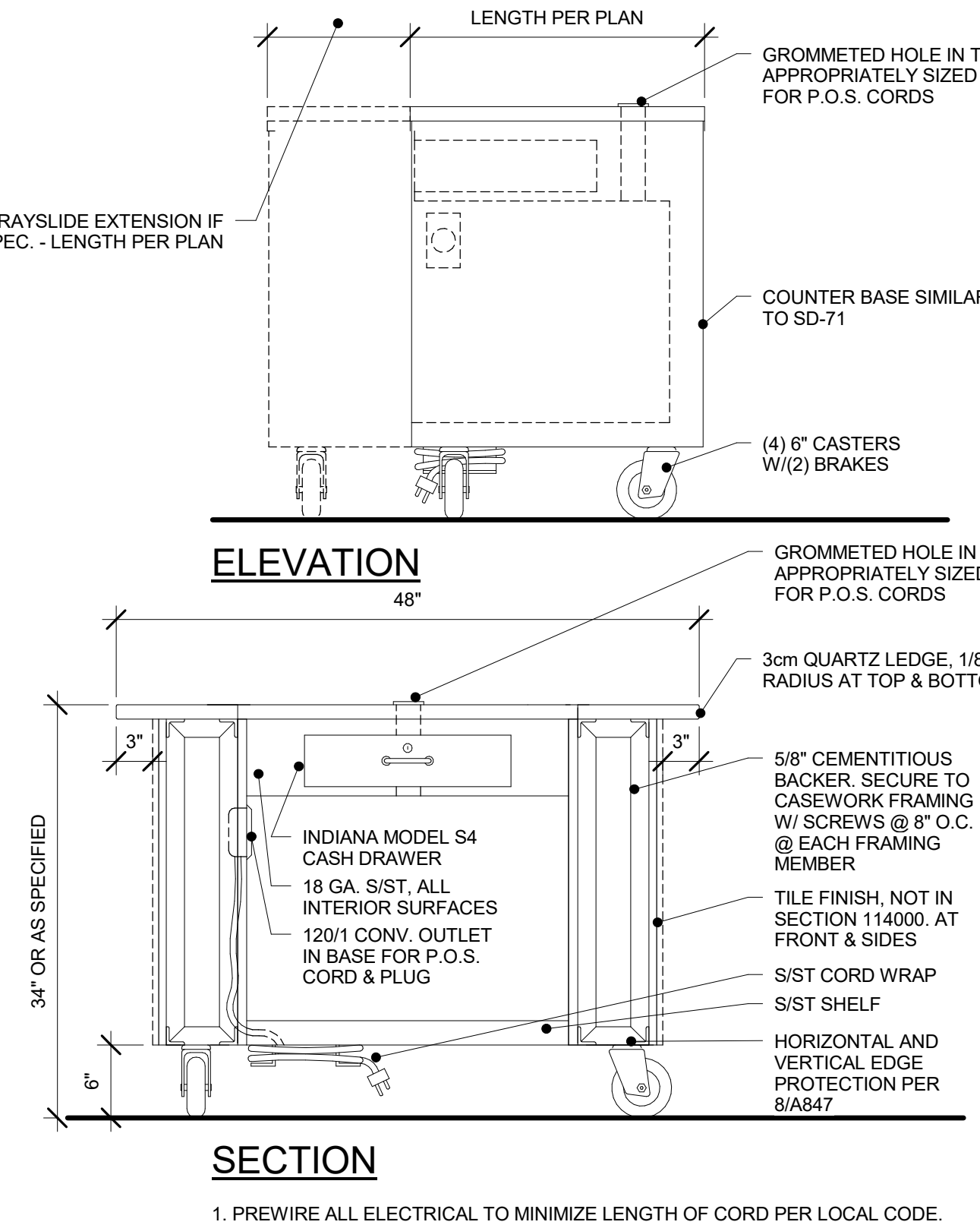
SD-75 CONTROL PANEL/PLATE SHELF



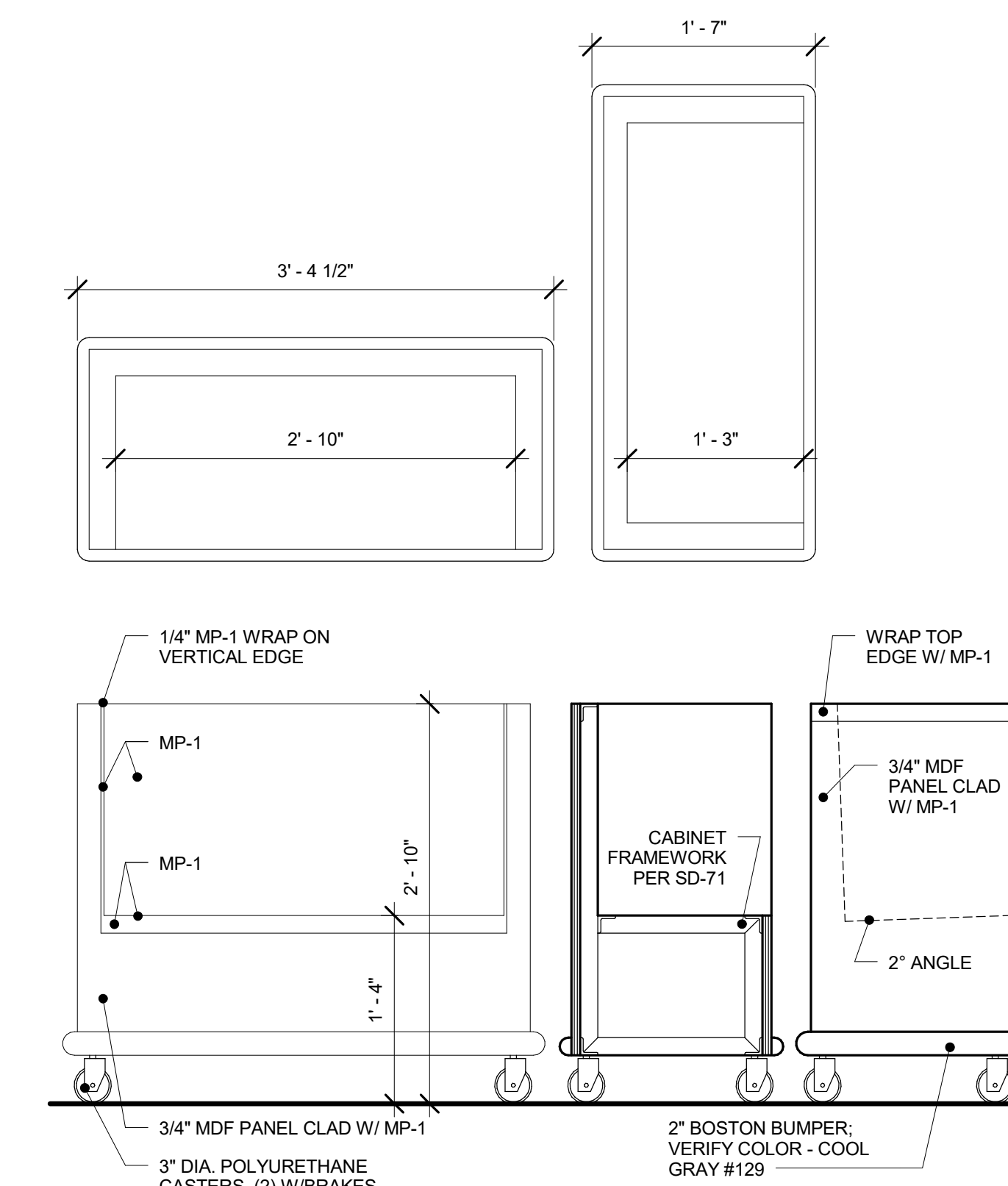
SD-77 CHANNEL BASE



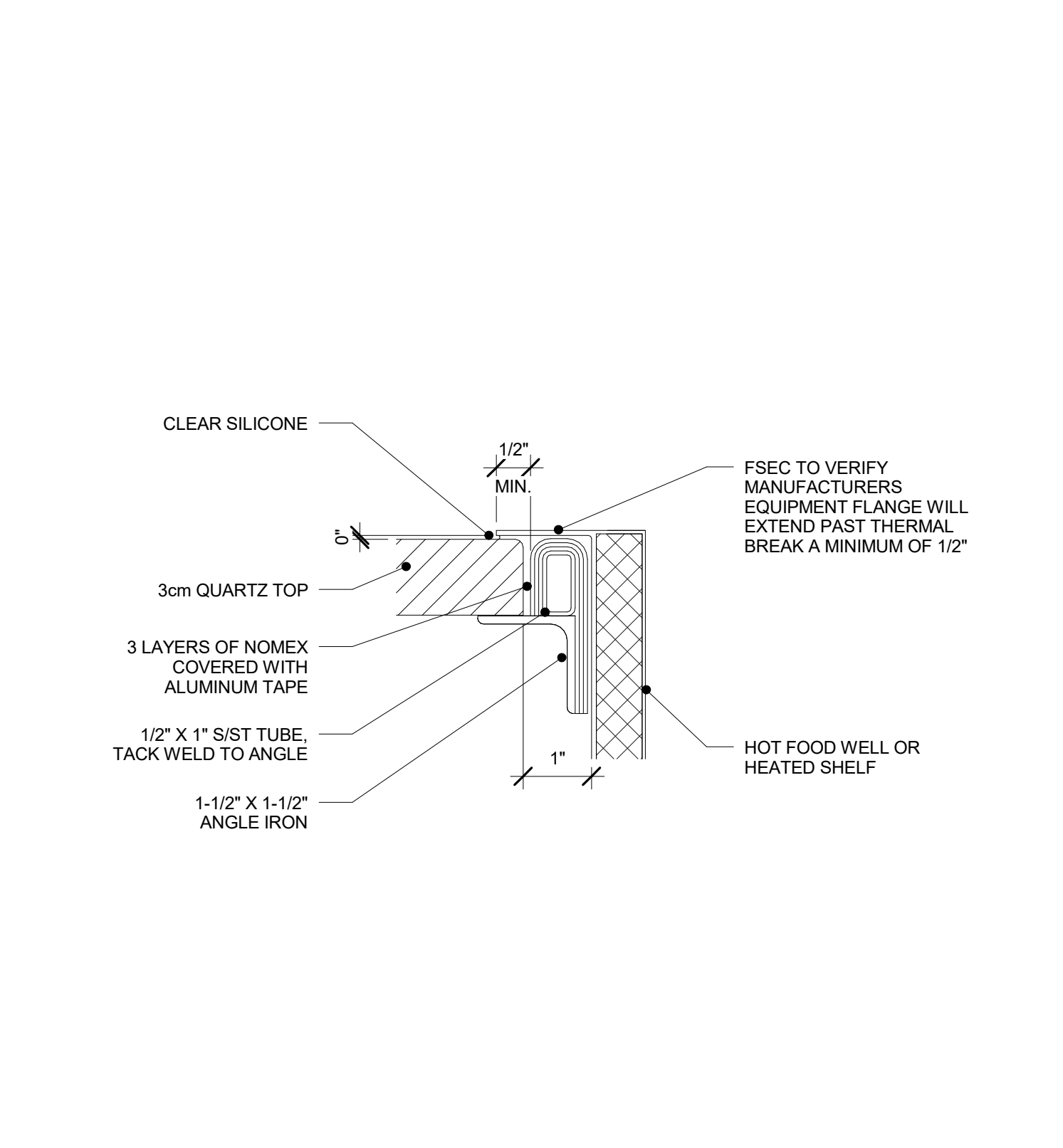
SD-120 PROTECTOR SHELF MOUNTING



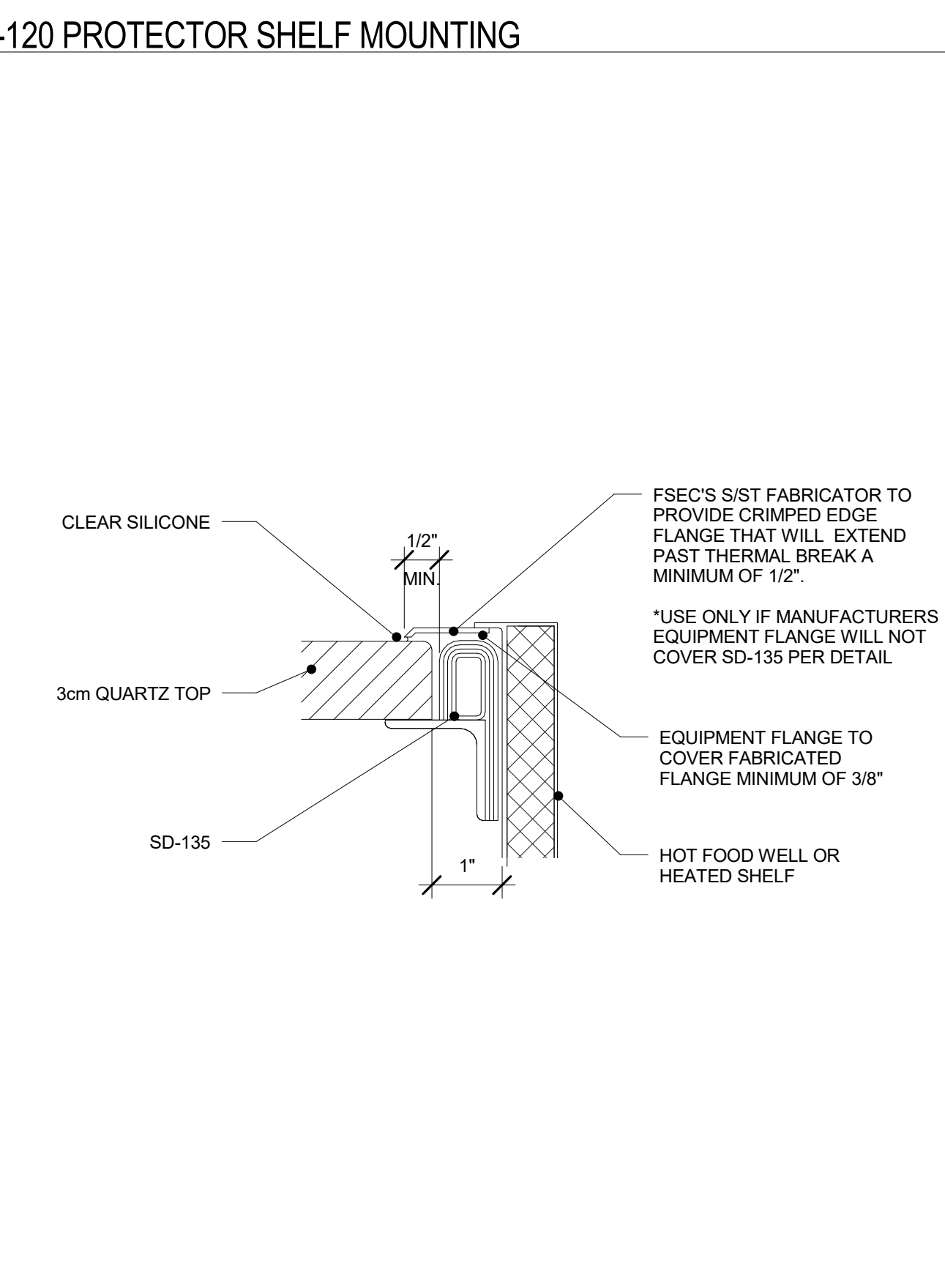
SD-123 CASHIER COUNTER DETAIL



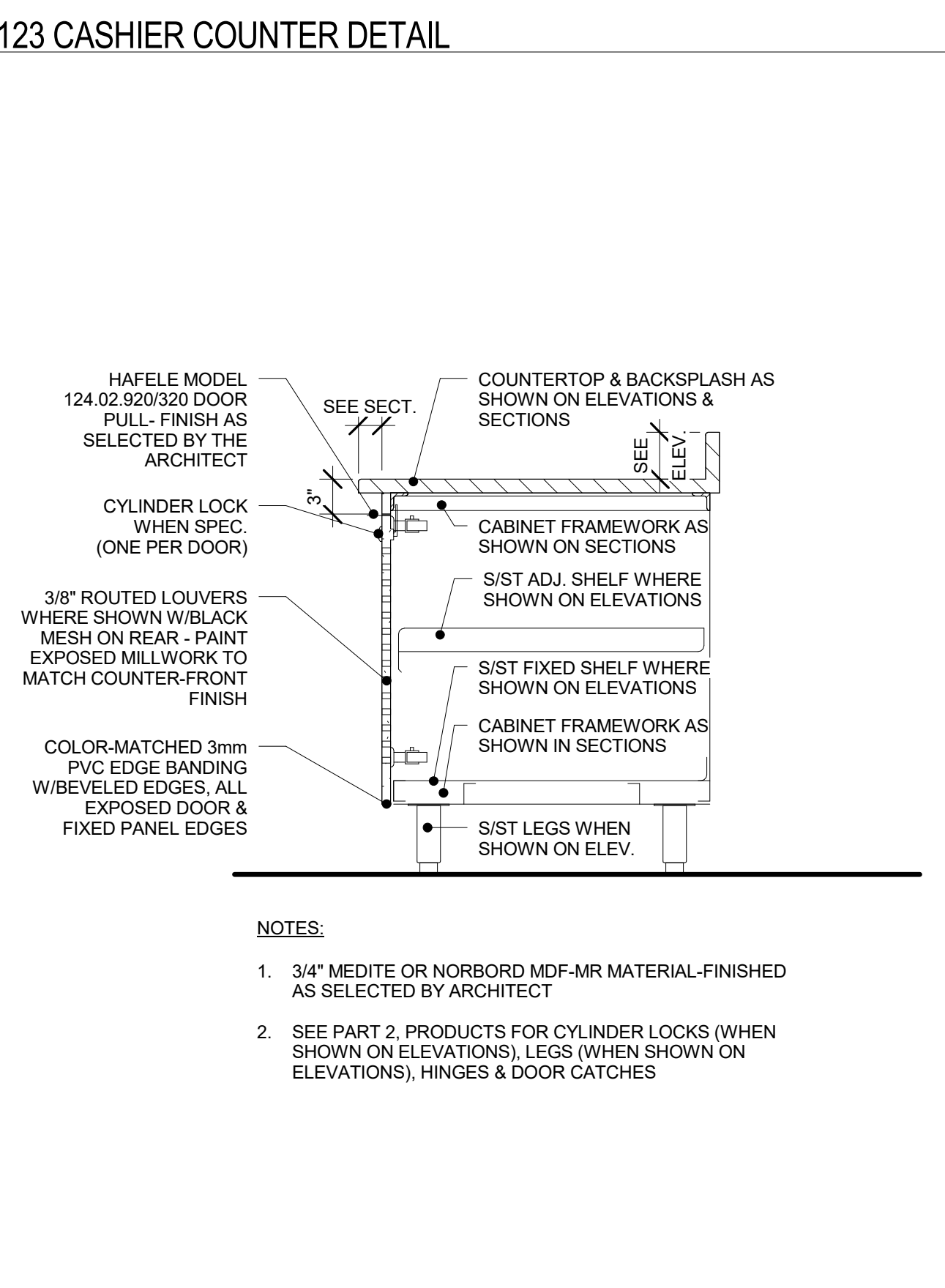
SD-127 MOBILE TRAY DISPENSER



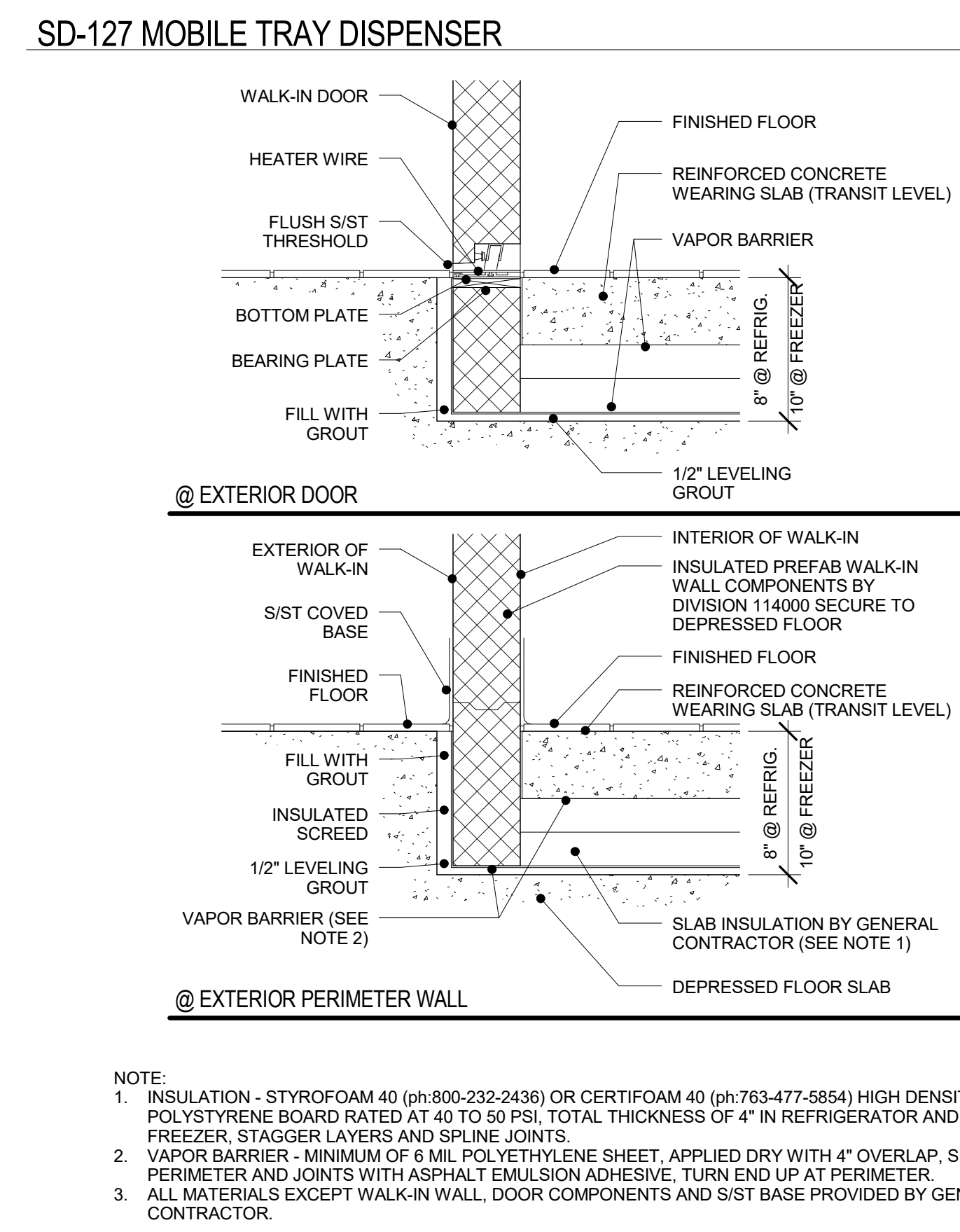
SD-135 THERMAL BREAK



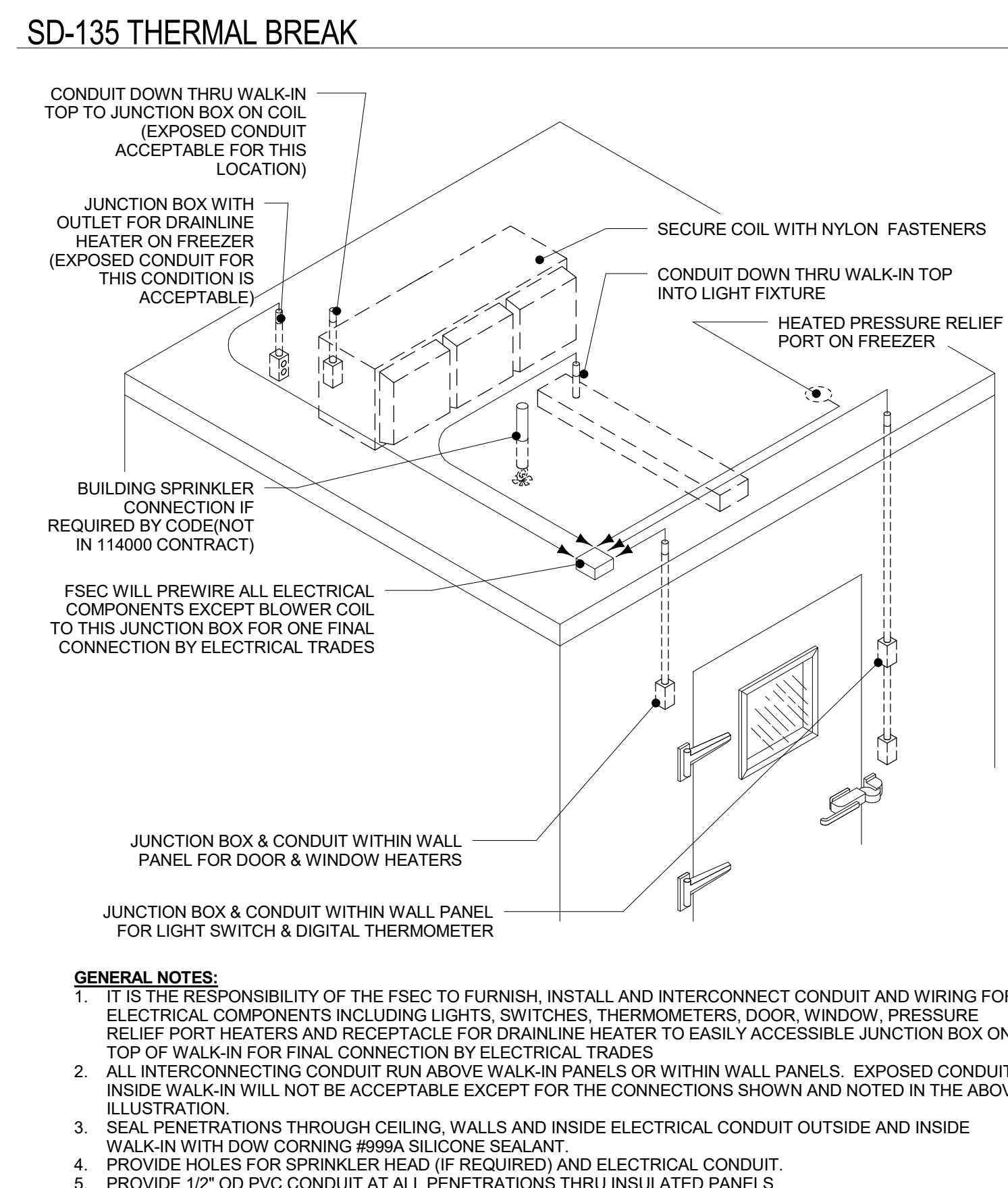
SD-136 THERMAL BREAK W/FLANGE



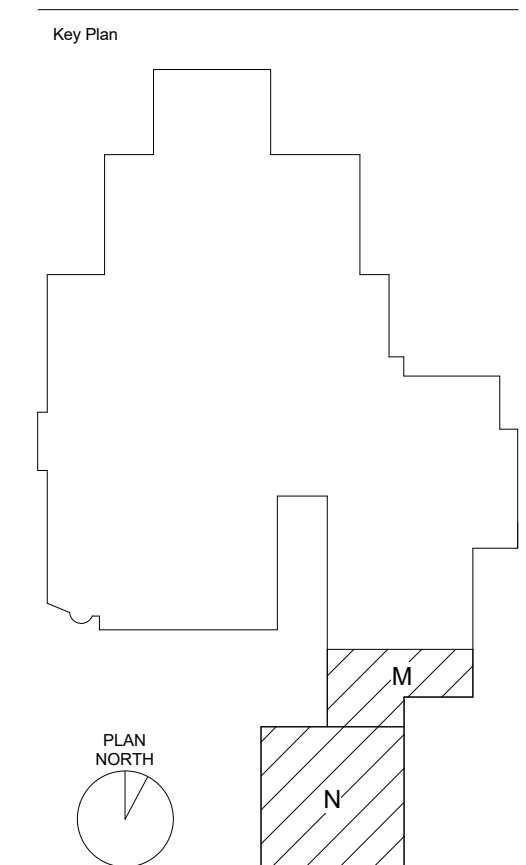
SD-171 MILLWORK PANELS & HINGED DOORS



SD-184 WALK-IN FLOOR - FLOORLESS WITH HIGH SCREEDS



SD-191 WALK-IN REFRIGERATOR/FREEZER - CONNECTION DETAIL



Sheet Issue Date	100% CD SET	04/07/2017
Previous Issue Date	100% DD SET	11/11/2016
	95% CD SET	03/20/2017
Revision		Date

CONSTRUCTION DOCUMENTS

Drawing: **FOODSERVICE EQUIPMENT STANDARD DETAILS**